



INSTALLATION INSTRUCTIONS

MicroComm DXL

400 Series Privacy Stations

1. Intent & Scope

This document describes the installation procedure for 400 series Privacy Intercom Specialty Stations. These include the ICS-4X1-PRI privacy station and the ICE-420/421-CUS privacy station.

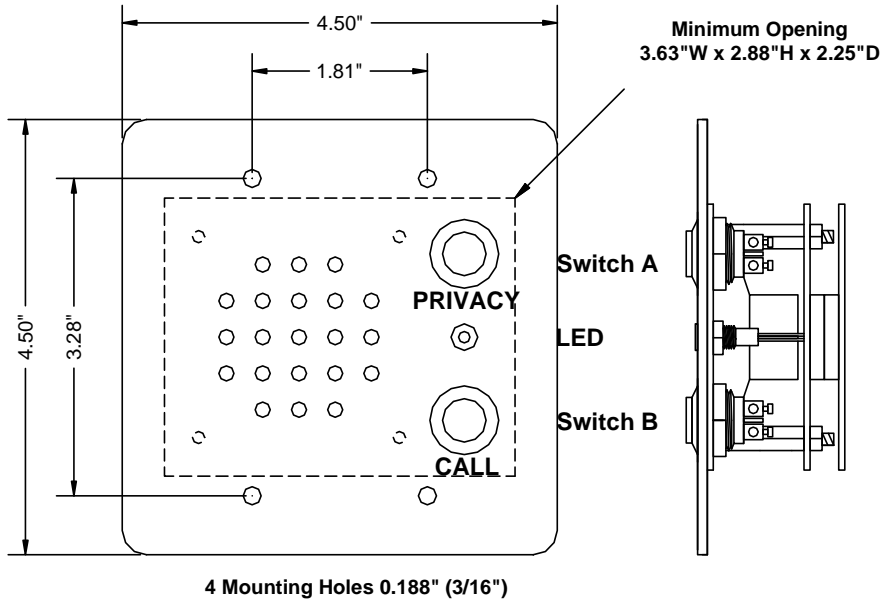
2. Description

The Privacy Station consists of a status LED, NORMAL/PRIVACY toggle switch and Call Request push button. Client confidentiality is protected when PRIVACY is selected by disabling the microphone and speaker audio communication. Call requests to the station are available in both the NORMAL and PRIVACY modes. The MicroComm DXL privacy station requires one SCC-401 channel. The LED displays different flash patterns for each of the states in NORMAL and PRIVACY modes. The flash patterns are as follows:

Operatio	Condirion	LED Pattern
Normal	ALL	OFF
Privacy	Idle	ON
Privacy	Incoming Call	FLASH (50% Duty @ 1 Hz)
Privacy	Call Request	N/A

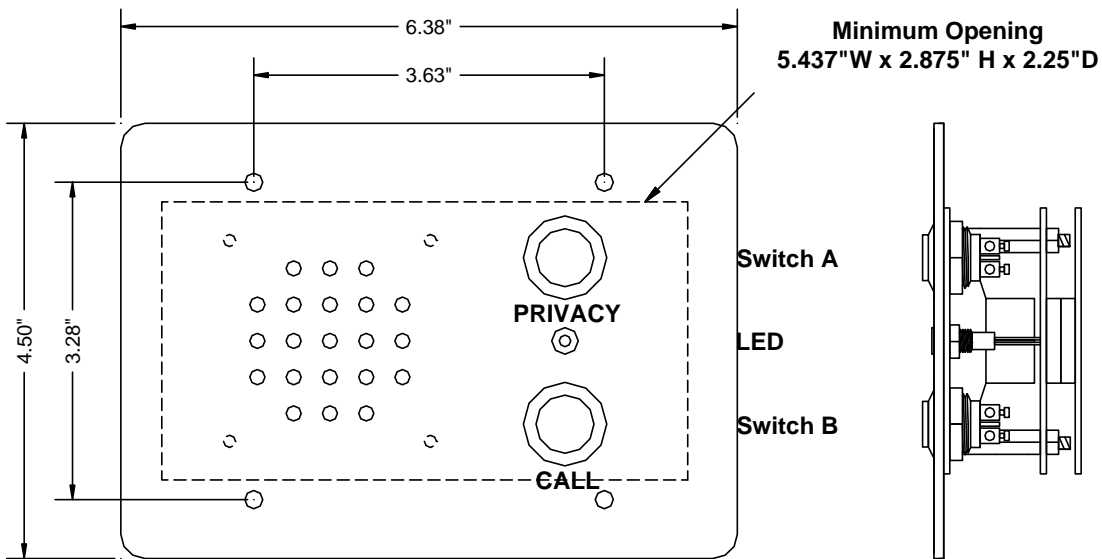
Figure 1 2-gang and 3-gang Privacy Station

Privacy Station



4 Mounting Holes 0.188" (3/16")

2 Gang



4 Mounting Holes 0.188" (3/16")

3 Gang

1.1 2-gang and 3-gang ICE-400 Privacy Station with Momentary Switch

3. Installation

A simplified diagram of the back view of the Privacy Station is shown below. The header CN1 is used to connect audio and switch information from the station to the intercom system. The audio lines are connected to pins 1 and 2 of CN1 with a 4-pin MTA-100-04 connector. (Note: Since only two pins on the header are used for the audio connections a 2-pin MTA-100-02 connector may be used.)

The maximum recommended distance to run 22-gauge twisted-pair shielded cable from a Privacy Station to an SCC-401 is 2500 feet (750 meters)

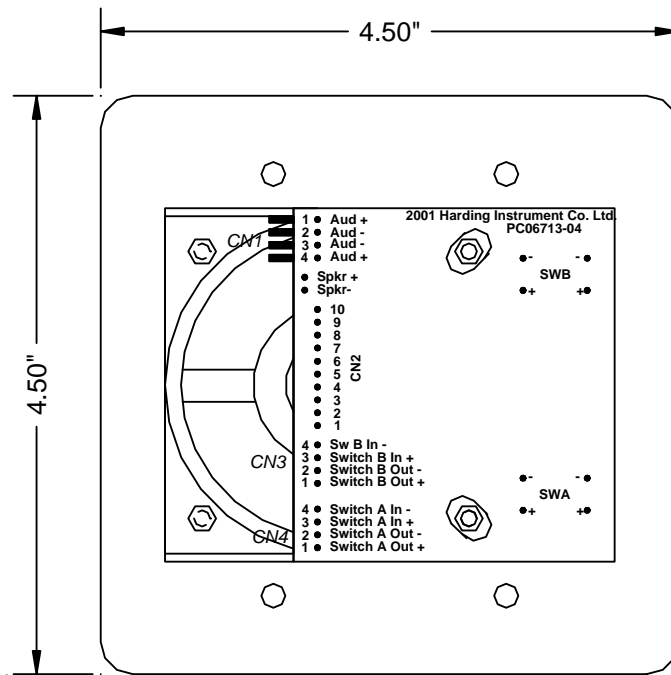


Figure 2 Rear View of ICE-420 Printed Circuit Board Showing Header Positions

3.1 Audio Connection from System to Intercom Station

Each Privacy Station is connected to the exchange with a single shielded twisted pair. This pair is connected to terminals on the field interface terminal block. All shields are terminated at the field interface terminal block. The shields are grounded through the cable that connects the terminal block to the connector on the SCC-401. The shield at the station end is left unconnected.

The connections to the intercom station are made with an AMP MTA-100 series connector. The intercom pair should connect to pins 1 and 2 on a female 4-pin AMP MTA-100 series connector that plugs onto the header labeled CN1 on the printed circuit board of the intercom station. To make these connections you should use an AMP Handle Assy 58074-1 tool with a 58246-1 head. The cable should be cut to length and the shield and outer jacket should be trimmed back about 1/2 inch. Ensure that the shield is not exposed or it may short out exposed contacts on the intercom PCB when it is installed. The pin configuration of the station connector is:

MTA Pin	Signal
1	Audio +
2	Audio -
3	N/C
4	N/C

Figure 3 MTA Pin Signals

To insert the signal wires into the connector you remove the white cover from the connector, insert the connector into the tool from the left side (it will travel through the tool in the direction indicated by the arrow), pull the trigger once to load the connector. Then insert the signal wire for pin 1 (do not strip the wire) into the hole on the

Privacy Station

top of the tool and pull the trigger to insert the wire into the connector. Then repeat to install the other signal wire. Finally, remove the connector from the tool, replace the cover, and then slide the connector onto the pins on the intercom station.

3.2 Mounting Privacy Station

The 2 gang Privacy Station is designed to mount to a standard 2-gang electrical box, with the faceplate connected to the box by four #6-32 mounting screws. The box must have a minimum opening of 3.625"W x 2.875"H x 1.5"D (as shown in the figure on page 1). The 3-gang Privacy Station is designed to mount to a 3-gang electrical box that has a minimum opening of 5.437"W x 2.875"H x 1.5"D.

4.0 Configuring the DXL Administrator Software

Configuring a Privacy Station requires that you specify the SCC-401 port that the station is connected to.

The **Identification** tab of the **Station Properties** dialog box has entries for **ID Number:** and **Name:** of the station. Using the pull-down menu the station is specified as **Type:** Privacy Station. The SCC-401 port that the Privacy Station is connected to is indicated by the **Exchange;** **Box;** **Card;** and **Port:** entries.

The screenshot shows the 'Station 5134 (LawyerConferenceRoom) Properties' dialog box with the 'Identification' tab selected. The fields are as follows:

Field	Value
Number	5134
Name	LawyerConferenceRoom
Info	
Template	None
Type	Privacy Station
Exchange	SpecialHandling
Box	DCC
Card	401 Series SCC 1
Port	5

The **Switches** tab indicates that the function of the two switches associated with a Privacy Station are predefined and cannot be changed.

The screenshot shows the 'Station 5134 (LawyerConferenceRoom) Properties' dialog box with the 'Switches' tab selected. The table below shows the predefined functions for the two switches:

Number	Function
1	Privacy
2	Call Request

Below the table, the 'Switch Input Supervision' section is checked, and the 'Report Faults To Master' dropdown is set to 'None'.

The remaining tabs in the Station Properties dialog box are discussed in the Administrator Software & Local User Interface manual.