

Axis^{AX}

Intelligent Fire Alarm Control Panels

Advanced has combined the latest technology with many years of fire experience, to create the Axis AX Intelligent Fire Alarm Control Panels. The panels are highly flexible and ideally suited to meet the needs of virtually any commercial, industrial or institutional application. The Axis AX Intelligent Fire Alarm Control Panels are available in three standard models, the AX-CTL-1L, AX-CTL-2, and AX-CTL-4. Modular construction permits field configuration of a panel(s) to suit specific installation requirements.

Designed with installation and service engineers in mind, these intelligent panels are modularly packaged, using surface mount and dual flash microprocessor technology, with onboard real time clocks for ease of installation, troubleshooting, programming, and maintenance.

The AX-CTL-1L provides one Class B or Class A/X signaling line circuit, while the AX-CTL-2 provides two SLC circuits and the AX-CTL-4 provides four SLC circuits. Communications to field devices attached to the SLCs is via an advanced, 100% digital protocol with advantages of being highly immune to noisy environments and will operate over non-shielded cable without causing interference problems with sensitive electronic equipment.

Each SLC supports up to 126 analog addressable devices (any combination of intelligent detectors, input and/or output devices, including loop powered technology devices). In addition, our unique sub-addressing of various input and/or output devices permits expanding system capacities further.

The AX-CTL-1L and AX-CTL-2 also come with two filter, voltage regulated Notification Appliance Circuits (NACs), Class A or B rated 2 Amp @ 24 VDC. Due to exceptional regulation and high rating, the onboard NAC outputs provide compatibility with virtually any listed notification appliance. The AX-CTL-4 panel provides four fully filtered, voltage regulated Notification Appliance Circuits (NACs) rated 2 Amp @ 24 VDC. The AX-CTL-4 configuration can accommodate a total system capacity of 504 analog addressable point's standard, not counting sub-addressing capacity.

Each AX-CTL-1L, AX-CTL-2 or AX-CTL-4 intelligent panel has resettable and non-resettable power outputs each rated .5 Amp @ 24 VDC, for connection to four-wire conventional smoke detectors and/or ancillary devices. In addition, each panel (AX-CTL-1L, AX-CTL-2, and AX-CTL-4) contains three, field programmable, Form "C" relay contacts rated 1 Amp @ 30 VDC, defaulted as a fail-safe trouble relay, alarm relay, and supervisory relay.

Simplifying and reducing initial system set-up, each Axis AX Intelligent Fire Alarm Control Panel is equipped with an installer-friendly "Auto-Learn/Loop Detection" feature that permits the rapid recognition of all signaling line circuit devices.



Features

- Advanced User Interface w/Graphical LCD
- "Dynamix" I/O Relationship Programming
- Synchronized Audible and Visual NAC Circuits
- Remote Diagnostic Capabilities
- AD-Net-Plus Peer-to-Peer Networking
- Built-in Intelligent Multi-Meter
- Up to 504 Analog/Addressable Points
- Automatic Drift Compensation per Detector
- Automatic Detector Testing w/Maintenance Alert
- Alarm Verification and PAS
- Style 4, 6 & 7 SLC Operation (supports loop powered technology)
- SLC Circuits Compatibility with Xtralis VLC-400

This rapid recognition simplifies the assignment of critical life safety functions immediately. Assignments include intelligent detector type and operation criteria, addressable input device recognition as an alarm input, and addressable output control on a general alarm basis.

Designed with built-in powerful installation and customization tools, the Axis AX Intelligent Fire Alarm Control Panels can adapt to virtually any application requirement. With DynamiX I/O programming, typical time-consuming complexities associated with I/O relationship programming such as two-stage multi-pattern NAC control, intelligent detector drift compensation, precision response/sensitivity mode settings, flexible timing functions, and more, are sharply reduced.

The Axis AX intelligent panels are fully field programmable, via the onboard graphical LCD display and alphanumeric keypad. Front panel programming may encompass defining input to output relationships, configuring output circuit characteristics, entering zone, device, and other text descriptions, and configuring multiple user-access passwords.

To maximize the capability and flexibility of the Axis AX Intelligent Fire Alarm Control Panels and expand upon the customization of an installation, the Advanced Windows based PC-NeT field configuration tool is available.

The PC-NeT field configuration tool is a powerful, user-friendly programming tool that allows users to perform virtually any I/O relationship with multiple criteria. Simple drop-down menus with point-and-click operation makes project commissioning and troubleshooting fast and efficient.

Each Axis AX intelligent panel can accommodate remote graphical LCD annunciators (with or without system control capabilities) on the Ad-NeT-PluS peer-to-peer network. Multiple annunciator locations can be created based on installation demands. These locations can have either: no system control, partial system control, or full system control. In addition, information on system status changes can be vectored, allowing displays to receive only information pertaining to specific events. The Axis AX intelligent panels can accommodate very large, sophisticated applications with relative ease. When installations exceed a single panel's capacity the Advanced Ad-NeT-PluS peer-to-peer network may be implemented, providing up to 200 network nodes. The Ad-NeT-PluS is completely field programmable for inter panel functionality or segregation of information and control based on the overall installation requirements.

Designed with the technician in mind, each module of the Axis AX Intelligent Fire Alarm Control Panel is easy to install and service. The integral power supply offers status LEDs, temperature compensated charging and the ability to operate directly from the batteries when AC supply is not yet available at the installation site.

A unique built-in intelligent multi-meter allows technicians to interrogate any input and/or output and diagnose potential time-consuming trouble issues with virtually no complications or aggravation. With an Axis AX Intelligent Fire Alarm Control Panel, servicing a customer after installation can be as simple as adding an Advanced ipGateway (AX-LAN). The ipGateway can provide real time text and email alerts of system status via the internet.

Features Continued

- User-Friendly PC-NeT Field Configuration Program
- 5 to 10 Amps of System Power
- Optional ipGateway for text and email status notification
- Class A or B NAC Circuits
- Network-Wide Audible and Visual Synchronization
- Voltage Regulated NACs (compatible with most Listed NAC devices)
- "Auto-Learn/Loop Detection" Programming

Listings and Approvals

- ETLANSI/UL864Listed:101564744NYM-001
- CSFMAApproved:7165-1713:0101
- NYCFD COA #6105A2

Advanced User Interface w/Graphical LCD:

Designed to be user-friendly and easy to operate, the Advanced User Interface w/Graphical LCD (backlit 240 x 64) is the information and control center for the Axis AX Intelligent Fire Alarm Control Panels.

The unit incorporates a graphical LCD display, LED status indicators, control buttons (including 3 programmable buttons), navigation buttons, and a 12 button keypad for complete system status, interrogation, and control.

Graphical Liquid Crystal Display Navigation Buttons



LED Status Indicators

Control Buttons

12 Button Keypad
(Numbers & Letters)

Button (Keys)

	Reset
	Ack (panel buzzer acknowledge)
	Resound (resound signals)
	Silence (silence signals)
	Fire Drill
	Function Keys (3 - programmable control buttons)
	Navigation Keys (up, down, left, right, and tick [enter])
	12 Button Keypad (numbers, letters, esc, and menu)

LED Indicators

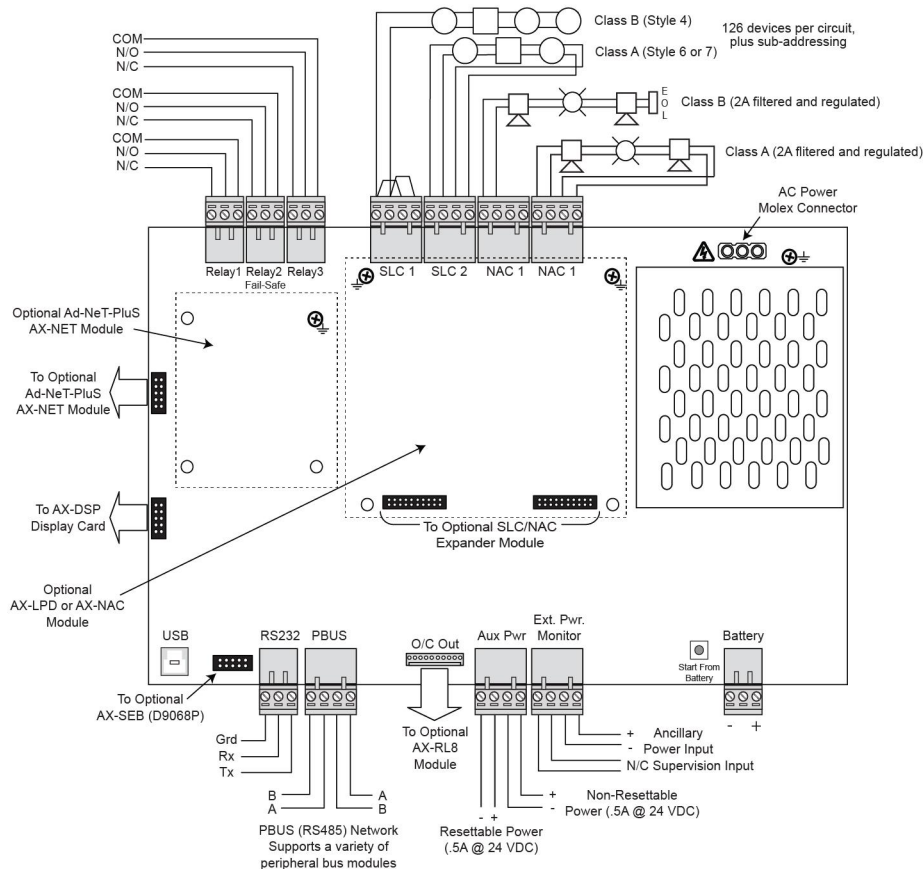
Alarm	Red
Pre-Alarm	Red
Disable	Yellow
Test	Yellow
P.A.S.	Yellow
Power	Green
Supervisory	Yellow
NAC Silenced	Yellow
NAC Trouble	Yellow
NAC Disabled	Yellow
System Trouble	Yellow
Programming	Yellow
Programmable LED 1	Red
Programmable LED 2-5	Yellow

Specification

Operating Voltage	120 VAC (1.4A) - 240 VAC (0.7A), 50/60Hz
System-Brown-Out	98 VAC nominal
Battery Circuit	
Charging Voltage	27.4 VDC nominal
Temp. Compensated Charging Current	2 Amp
Battery Derating Factor	0.83A
Battery Capacity	7 Ah (minimum), 48 Ah (maximum)
Battery Fuse	5A @ 240 VAC, Time Delayed, Ceramic, High Breaking (In-line Wire Link)
Fire, Supervisory, and Trouble Relays	(Power Limited - when utilizing system power)
Type	Form "C"
Rating	1A @ 30 VDC/VAC
Trouble Relay	Normally Active (fail-safe operation)
Auxiliary Power Outputs	(Power Limited)
Resettable	
Voltage	24 VDC
Current	0.5A
Reset Time	10-15 Seconds
Non-Resettable	
Voltage	24 VDC
Current	0.5A
Humidity	85% RH

Temperatures	
Operating	32 °F - 120 °F (0 °C - 49 °C)
Recommended Room	60 °F - 86 °F (15 °C - 27 °C)
Enclosure Dimensions	
Back Box	22.6"H x 14.5"W x 5.5"D
Housing	24.1"H x 16"W x 6.3"D
SLC Loop	
Class (Style)	(Power Limited) Class A or B (Style 4, 6 or 7)
Voltage	24 VDC
Minimum Return Voltage	17 VDC
Current	0.5A
NAC Circuits	
Class (Style)	(Power Limited) Class A or B
Voltage	24 VDC (filtered and regulated)
Minimum Return Voltage	16VDC
Current	2A (each)
Maximum Voltage Drop	3 VDC
Maximum Line Impedance	1.5Ω
RS232	
Baud Rate	Supervised, Optically Isolated 9600
Parity	None
Data Bits	8
Stop Bits	1
Base Card Operating Current	
	Quiescent Alarm
AX-CTL-1L	110mA 195mA
AX-CTL-2	110mA 195mA
AX-CTL-4	175mA 260mA

* Refer to individual Axis AX module data sheets for specific specifications regarding optional modules.



Order Codes and Options

AX-CTL-1L*	Intelligent Fire Alarm Control Panel with cabinet, power supply/charger, 1 SLC, 2 NACs, 3 auxiliary relays (cabinet supports batteries 7Ah - 18Ah) (127 Addressable Points)
AX-CTL-2*	Intelligent Fire Alarm Control Panel with cabinet, power supply/charger, 2 SLCs, 2 NACs , 3 auxiliary relays (cabinet supports batteries 7Ah - 18Ah) (254 Addressable Points)
AX-CTL-4*	Intelligent Fire Alarm Control Panel with cabinet, power supply/charger, 4 SLCs, 4 NACs , 3 auxiliary relays (cabinet supports batteries 7Ah - 18Ah) (504 Addressable Points)
AX-CTL Base Card Option Modules**:	
AX-LPD	2 SLC, 2 NAC Expander Card (AX-CTL-2 compatible only)
AX-NAC	2 NAC Expander Card (AX-CTL-2 compatible only)
AX-PSU	5 Amp Expansion Power Supply Module (AX-CTL-2 compatible only)
AX-NET4	Network Interface Card (Style 4)
AX-NET7	Network Interface Card (Style 7)
AX-RL8	8-Way Relay Output Card (Programmable)
AX-012	Thermal Strip Printer
D9068P	Serial Digital Communicator (requires AX-SEB and AX-DACT)
AX-SEB	Serial Expansion Board (required with D9068P)

* For gray enclosure, add suffix "G" to the part number.

** Refer to individual Axis AX Series module data sheets for peer-to-peer network and peripheral bus optional modules.

Check if this document is up to date | Give us feedback

9564 Yellowhead Trail NW, Edmonton AB, T5G 0W4, Canada T: 1 (866) 462-7100 E: info@harding-tech.com W: www.harding-tech.com

As our policy is one of constant product improvement the right is therefore reserved to modify product specifications without prior notice.