

Axis^{AX}

Commander 4 Series

The GCS/GCC Series is a ceiling mount strobe or horn/strobe combination that offers dependable audible and visual alarms and the lowest current available.

The GCS/GCC offers tamperproof field selectable candela options of 15, 30, 75, 95, 115 and 150 candela.

The GCC horn offers a continuous or synchable temporal three in 2400Hz or mechanical tone. These tones are easy for the professional to change in the field by using switches. The models are shipped from the factory in the temporal three alarm mode.

The GC Series has a minimal operating current and has a minimum flash rate of 1Hz regardless of input voltage.

The Commander 4 Series comes standard with the 4" mounting plate which incorporates the popular Super -Slide™ feature that allows the installer to easily test for supervision.

The Commander 4 also features the Checkmate™ - Instant Voltage Verification feature which allows the installer to check the voltage without removing the signal.

The GC Series appliances are UL 464 and UL 1971 listed for use with fire protective systems and are warranted for three years from the date of purchase.



Features

- Field Selectable Candela Options (15, 30, 75, 95, 115 and 150 candela)
- Super-Slide™ Bracket - Ease of Supervision Testing
- Checkmate™ - Instant Voltage Verification
- Switch Selection for High or Low dBA
- Silence Horn while Strobes Remain Flashing
- Unit Dimensions: 6" x 2.6"
- Lower Installation and Operating Costs
- Input terminals 12 to 18 AWG
- Switch for Mechanical and 2400Hz Tone
- Tamperproof Re-entrant Grill
- Switch for Continuous or Temporal 3
- Faceplate Available in Red or Off-White

Listings and Approvals

- UL 464 & UL 1971 Listed
- CAN/ULC S526-M87 Listed
- ULSZ7.S3406 Listed (GCC)
- FM Approved
- CSFM:
 - 7135-0569:122 (GCC)
 - 7125-0569:123 (GCS)
- BS+A/MEA: 285-91-E

GCS 24 Volt Ceiling Mount Selectable Strobe

Model Number	Part Number	Nominal Voltage	Candela
GCS24CR	904-1213-002	24 VDC	15, 30, 75, 95, 115, 150
GCS24CW	904-1215-002	24 VDC	15, 30, 75, 95, 115, 150
GCS24PCR	904-1214-002	24 VDC	15, 30, 75, 95, 115, 150
GCS24PCW	904-1216-002	24 VDC	15, 30, 75, 95, 115, 150

GCS 24 Volt Ceiling Mount Selectable Horn/Strobe

Model Number	Part Number	Nominal Voltage	Candela	Reverberant dBA @ 10 ft. Per UL 464 ¹	In Anechoic Room dBA @ 10ft.
GCC24CR	904-1209-002	24 VDC	15, 30, 75, 95, 115, 150	81-86	90
GCC24PCR	904-1210-002	24 VDC	15, 30, 75, 95, 115, 150	81-86	90
GCC24CW	904-1211-002	24 VDC	15, 30, 75, 95, 115, 150	81-86	90
GCC24PCW	904-1212-002	24 VDC	15, 30, 75, 95, 115, 150	81-86	90

Notes:

- The GC Series is not listed for outdoor use.
- Operating temperature: 32 °F to 120 °F (0 °C to 49 °C)
- For nominal and peak current across UL regulated voltage range for filtered DC power and unfiltered (FWR [Full Wave Rectified]) power, see installation manual.
- Gentex does not recommend using a coded or pulsing signalling circuit with any of our strobe products (see technical bulletin number 014 for more information).

Model Designations:

'P' = Plain (no lettering), 'C' = Ceiling Mount, 'R' = Red Faceplate, 'W' = Off-White Faceplate

GCS/GCC Product Strobe Current Ratings

Candela	15cd	30cd	75cd	95cd	115cd	150cd
24 VDC	72mA	101mA	167mA	200mA	214mA	286mA
UL Max ²	120mA	130mA	247mA	318mA	360mA	454mA
Horn Mode	Minimum dBA @ 10ft. Per UL 464 (High)		Minimum dBA @ 10ft. Per UL 464 (Low)		Regulated 24 VDC Max. Operating @ High Setting (mA)	
Temp 3 2400Hz	83		75		23	
Temp 3 Mechanical	21		73*		22	
Continuous 2400Hz	86		78		23	
Continuous Mechanical	84		76		22	

* Operating the horn in this mode at this voltage will result in not meeting the minimum UL reverberant sound level required for public mode fire protection service. These settings are acceptable only for private mode fire alarm use. Use the high dBA setting for public mode application.

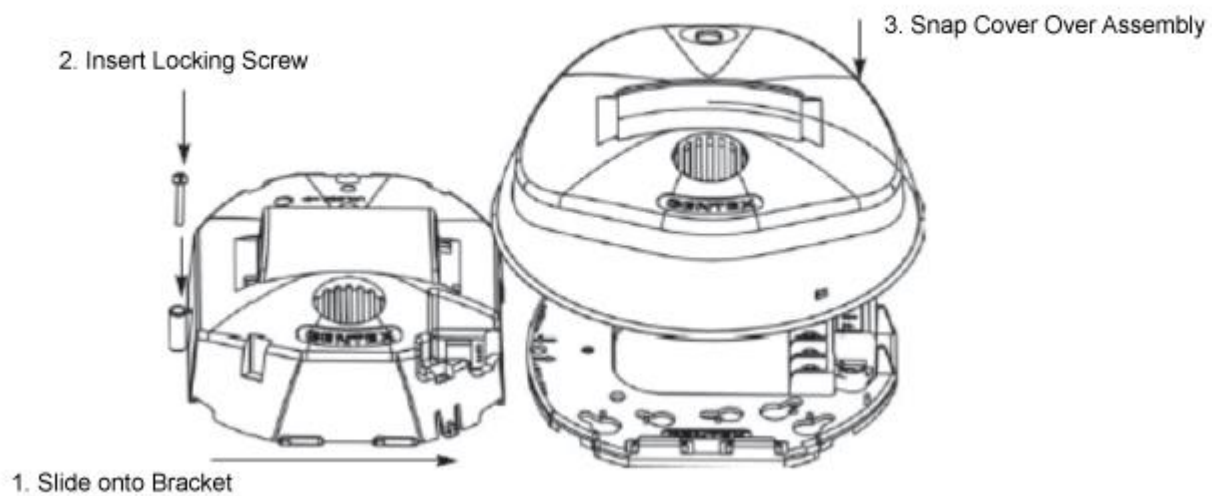
Notes: The sound output for the temporal 3 tone is rated lower since the time the horn is off is averaged into the sound output rating. While the horn is producing a tone in the temporal 3 mode its sound pressure is the same as continuous mode. To obtain horn/strobe current draw, add the strobe current draw to and the horn current draw.

¹ The listed horn current draws are for the Continuous Tone mode. The Temporal 3 Tone has a reverberant dBA @ 10ft. per UL 464 is 77-83 with a horn current draw of 34mA

² RMS current ratings are per UL average RMS method. UL max current rating is the maximum RMS current within the listed voltage range (16-33 VDC for 24 VDC units and 8-17 VDC for 12 VDC units). For strobes the UL max current is usually at the minimum listed voltage (16 VDC for 24 VDC units or 8 VDC for 12 VDC units). For Audibles the max current is usually at the maximum listed voltage. For unfiltered FWR ratings, see installation manual.

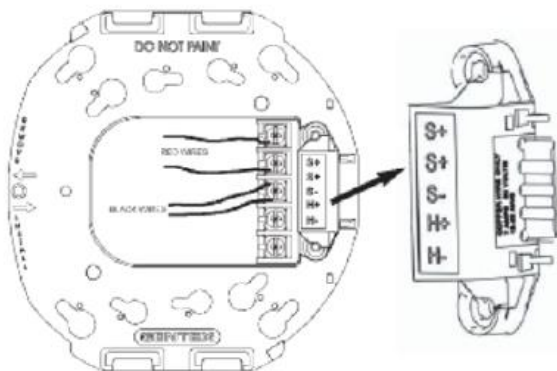
Mounting Super Slide™

Mounting Super-Slide™



Checkmate™ Instant Voltage Verification

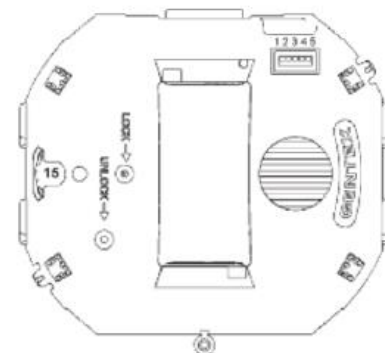
Checkmate™ Instant Voltage Verification



The access holes are provided in the back of the terminal block to allow the voltage to be measured directly without removing the device. Typically this would be done at the end of the line to confirm design criteria. Most measurements will be taken using the S+ and S- locations although access is provided to other locations. Note: Care should be taken to not short the test probes.

Switch Locations

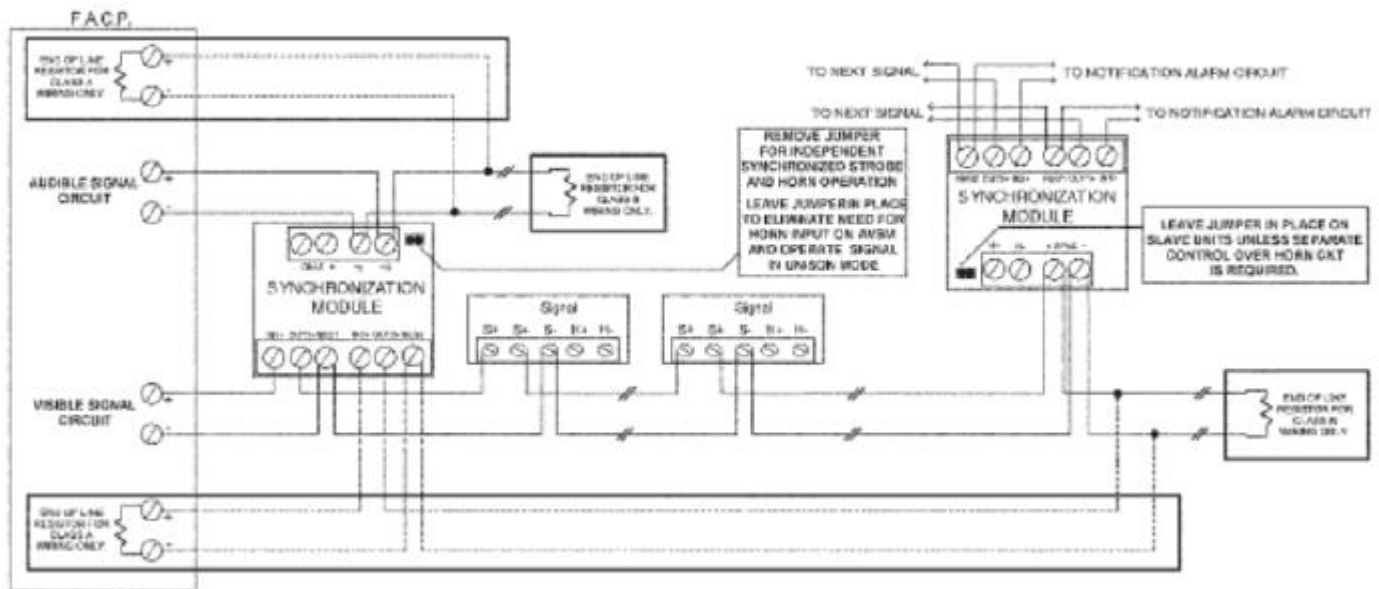
Switch Locations



Switch positions 1 and 2 in the down position to select isolated horn and strobe power inputs. Switch 3 selects between temporal or non-temporal tone. Up is temporal. Switch 4 selects between mechanical or high frequency tone. Up is mechanical. Switch 5 selects between high or low dBA. Up is high dBA.

Wiring Diagram

Wiring Diagram GCS/GCC Series With Gentex Synchronization Module



Note: See technical bulletin 015 for proper synchronization module for application.

Specification

The visible and audible/visible signal shall be Gentex model GC5 or GCC or approved equal and shall be listed by Underwriters Laboratories Inc. per UL 1971 for the GCS and also UL 464 for the GCC. The notification appliance shall also be listed with the California State Fire Marshal (CSFM) and the Bureau of Standards and Appeals (NYC).

The notification appliance (combination audible/visible units only) shall produce a peak sound output of 90dBA or greater as measured in an anechoic chamber. The signalling appliance shall also have the capability to silence the audible signal while leaving the visible signal energized with the use of a single pair of power wires. Additionally, the user shall be able to select either continuous or temporal tone output with the temporal signal having the ability to be synchronized.

The audible/visible and visible signaling appliance shall also maintain a minimum flash rate of 1 Hz or up to 2Hz regardless of power input voltage. The appliance shall have an operating current of 72mA or less at 24 VDC for the 15 Cd circuit.

The appliance shall be polarized to allow for electrical supervision of the system wiring. The unit shall be provided with a mounting bracket with terminals with barriers for output/input wiring and be able to mount to a single gang, double gang box or double workbox with the use of an adaptor plate. The unit shall have an input voltage range of 16-33 volts with either direct current or full wave rectified power.

The appliance shall be capable of test supervision without disconnecting wires. Also the appliance shall be capable of mounting to a surface box. The unit shall also be able to verify voltage at the unit without removing the unit.

Check if this document is up to date | Give us feedback

9564 Yellowhead Trail NW, Edmonton AB, T5G 0W4, Canada T: 1 (866) 462-7100 E: info@harding-tech.com W: www.harding-tech.com

As our policy is one of constant product improvement the right is therefore reserved to modify product specifications without prior notice.