

Axis^{AX}

Intelligent I/O Relay Output & Switch Monitor

The Advanced Intelligent I/O Relay Output & Switch Monitor (55000-820AFC) is an application specific addressable module for use with the Axis AX Series Intelligent Fire Alarm Control Panels. Each module is SLC loop powered, eliminating the need for additional field wiring and external power supplies.

Designed for installation on Advanced Axis AX Series SLC (signaling line circuit), the 55000-820AFC provides a single initiating device circuit (IDC) input, an independently controlled Form-C relay contact output, and an unmonitored optically isolated voltage input. The 55000-820AFC utilizes the Advanced unique sub-addressing for both the independently controlled relay and the optically isolated voltage input. By subaddressing these I/O features, Axis AX Series system point capacities are expanded with installation, programming, and commissioning time minimized. The 55000-820AFC mounts to the front of a standard 4" square or 2-gang electrical outlet box.

The IDC input of the 55000-820AFC is capable of being wired Class A or B and can monitor a single contact device or a group of devices. Contacts can be normally open (N.O.) or normally closed (N.C.) ranging from heat detectors, linear heat detectors, 4-wire conventional smoke detectors, waterflow switches, tamper switches, manual pull stations, switch input points for control, or any other supervised input requirement. Though the IDC input can monitor any number of contact devices, it is recommended not to mix alarm, supervisory, or security contacts on the same IDC module circuit.

Compatible with the Axis AX Series Dynamix I/O relationship programming, the relay output of the 55000-820AFC can be individually assigned to any input or output relationship, output group, timing function, gated function, invert operation, etc. to perform project specific control operations. Ideally suitable for elevator control, HVAC shut down, door holder release, or similar ancillary functions, the 55000-820AFC relay is rated 24 VDC @ 1 Amp (resistive) or 30 VAC .5 Amp (resistive).

The optically isolated voltage input of the 55000-820ADV is utilized for special applications when unsupervised status monitoring of a voltage input is required (i.e. HVAC status, ancillary product status, manufacturing process equipment status, etc.).

Each 55000-820AFC incorporates an integral eight position programming DIP switch which allows for device addressing and wiring classification definition. The module contains a red status LED which illuminates steady during active condition of the IDC input.



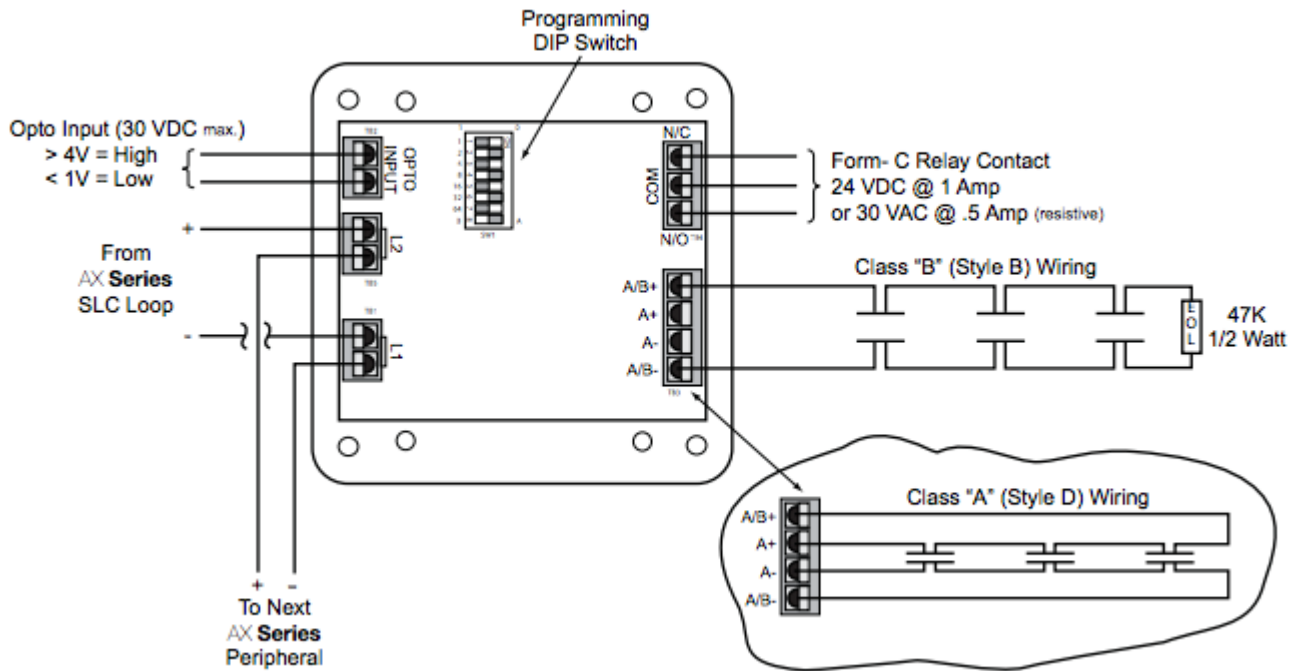
Features

- SLC Loop-Powered & Sub-Addressable
- 4" Square or 2-Gang Electrical Box Mounting
- Flexible Programming
- Durable Construction
- Cost-Effective & Trouble-Free Installation
- Optically Isolated Voltage Input
- Supervised Initiating Device Circuit (IDC)
- Class A or B Wiring
- Independently Controlled Form-C Relay Contact
- Axis AX Series Dynamix I/O Relationship Programming
- IDC Activation Status LED

Listings and Approvals

- CAN/ULC-S527-11 & CAN/ULC-S559-04 Listed: 100780709NYM-001
- ULC Listed: UOXXC.S24460
- ETL ANSI/UL 864 Listed: 101564744NYM-001
- UL file: UOXX.S7003 / ML file: S24460
- CSFM Approved: 7300-1713:108
- NYC MEA: 294-95-E

Wiring Diagram



Specification

Voltage	17-28 VDC, with Communication Pulses 5-9 VDC
Operating Current	
Quiescent	0.85 mA
Alarm	0.85 mA
With LED's	5.85 mA
Line Impedance	100Ω
Wiring Classification	Class A or Class B
End-of-Line Resistor	47 KΩ, 0.5 Watt (Class "B" Only)
Relay Output	Form-C
Rating	24 VDC @ 1 Amp or 30 VAC @ .5 Amp (Resistive)
Optically Isolated Input	Unsupervised
Voltage	35 VDC (Max.)
Input	Programmable Active High (Less than 4V) or Low (Less than 1V)
Mounting	4" Square or 2-Gang Electrical Outlet Box
Dimensions (Diameter & Height)	4 1/2"W x 4 1/2"H x 1"D
Weight	2.8 oz
Operating Temperature	32 ° -120 °F (0 ° -49 °C)
Humidity	10-93% (Non-Condensing)

Order Codes and Options

55000-820AFC

Intelligent I/O Relay Output & Switch Monitor

[Check if this document is up to date](#) | [Give us feedback](#)

9564 Yellowhead Trail NW, Edmonton AB, T5G 0W4, Canada T: 1 (866) 462-7100 E: info@harding-tech.com W: www.harding-tech.com

As our policy is one of constant product improvement the right is therefore reserved to modify product specifications without prior notice.