

Description

The UXB3 USB Connection Board provides two user accessible USB type A connectors for USB keyboard and USB flash drive connections. The UXB3 connects to the VPM3-IP or SDM3-IP via a short ribbon cable.

Operation

The SDM3 connector connects the UXB3 to the SDM3 board via a short ribbon cable. It provides data and power to the swing panel's front keyboard and configuration USB ports.

Mounting

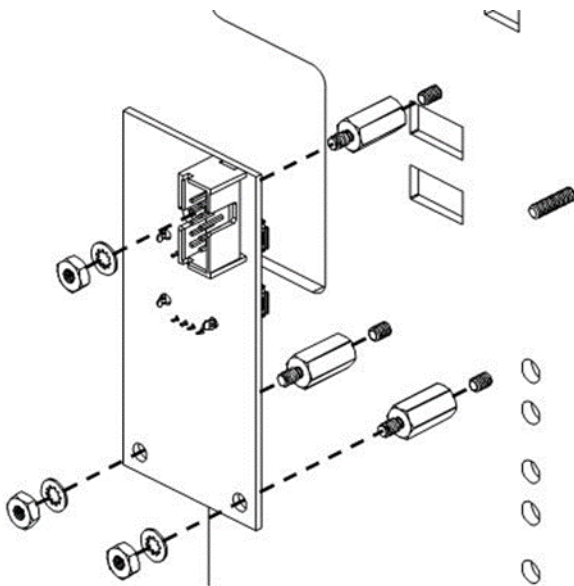
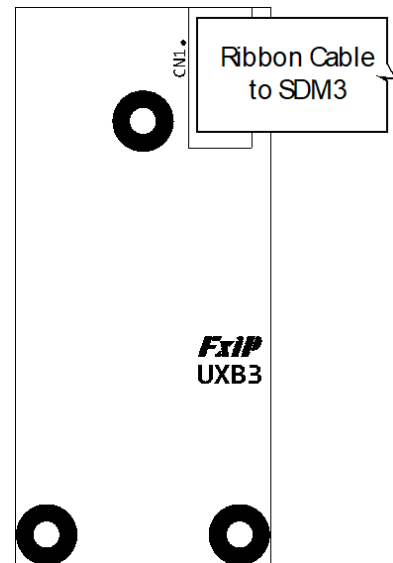
The UXB3 mounts onto the inside of the swing panel via three #4-40 x 1/2 inch threaded standoffs. The standoffs themselves are first mated with the four #4-40 mounting studs on the rear of the swing panel. The board is secured to the standoffs with three #4-40 lock washers / hex nuts.



Listing

UL Standard 864 9th Edition

Wiring Instruction



• Document # DS-UXB3-IP-1.0 • Copyright © 2020 Harding Instruments Co. Ltd. • All Specifications are subject to change without notice • Printed in Canada



9564 Yellowhead Trail NW
Edmonton, Alberta, T5G 0W4
sales@harding-tech.com

Tel 780.462.7100
Fax 780.450.8396
www.harding-tech.com



Represented by: