

Description

The HDH-421 is a two gang half-duplex intercom station with a 7-pin XLR receptacle and a status LED. A half-duplex audio connection is established between the handset and a second intercom station (specified in the Administrator Software) when an HND-100 handset is plugged into the HDH-421 receptacle. When the connection is established the station LED is turned on. Pressing the handset push-to-talk (PTT) switch forces the station into microphone transmit mode. When the handset is unplugged the connection is terminated and the LED is turned off.

Features

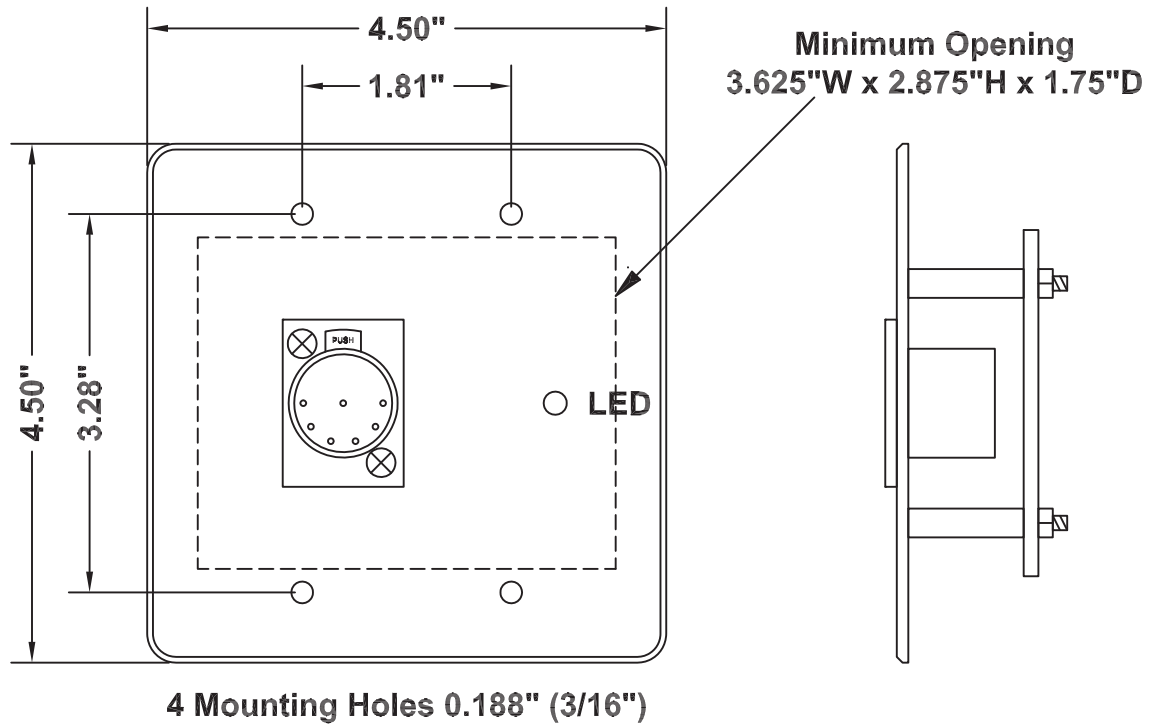
- half-duplex audio channel to a second station
- LED indicates when call connection is established
- stainless steel hardware
- mounts on standard 2 gang electrical box
- compatible with all standard #6-32 mounting hardware allowing any type of security screw to be used



Specifications

Physical	4.5" H x 4.5" W x 1.75" D (114 x 114 x 45 mm)
Faceplate	
Heavy duty	11 ga brushed stainless steel
Environmental	
Operating temperature	32 to 122 °F (0 to 50 °C)
Storage temperature	-40 to 158 °F (-40 to 70 °C)
Humidity	0 to 95 % non-condensing
Field Connections	4 pin MTA100 connector 7-pin XLR receptacle
Cabling	22 ga shielded twisted pair audio 2500 ft (750 m) maximum length

Mechanical



Ordering Information

Part number HDH-421

Accessories

HDN-100-72-1 handset



9564 Yellowhead Trail NW Tel 780.462.7100
Edmonton, AB T5G 0W4 Fax 780.450.8396
sales@harding.ca www.harding.ca



Represented by: